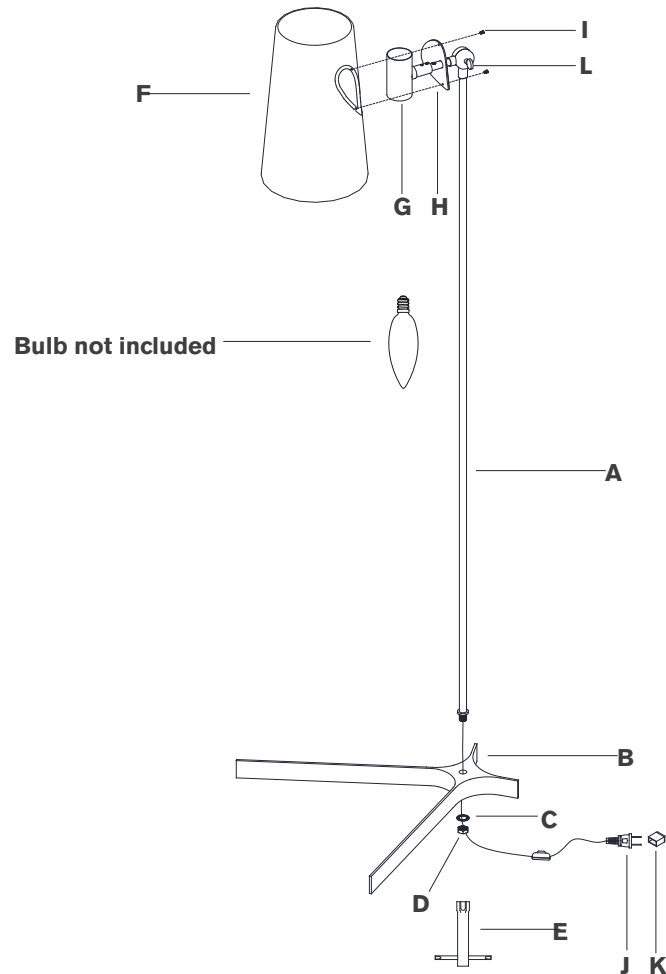


## ASSEMBLY INSTRUCTIONS



## Arpont Floor Lamp

Item # ARN 1101

### NOTICE:

This light fixture should be installed in accordance with all applicable, local installation codes, and by a person familiar with the construction and operation of it, as well as the hazards involved. Inspect item and contents carefully. If any damage or defect is found, do not install. Retain all packaging material until installation is complete and approved.

1. Carefully remove all parts from the box. Place on a clean, soft surface.
2. Install rod (A) to base (B) and secure with washer (C) and nut (D) using provided wrench (E).
3. Remove screws (I) from shade, then install shade (F) to socket (G) by aligning the holes on shade cover (H) and secure with screws (I).
4. Install light bulb into the socket.
5. To adjust shade (F) loosen knobs (L), adjust to desired angle then tighten knob (L).
6. Remove protective cover (K) from the plug (J).
7. Plug into electrical outlet and test the fixture.

**Care Instructions:** Clean only with a soft dry cloth or feather duster. Do not use abrasive or chemical agents.