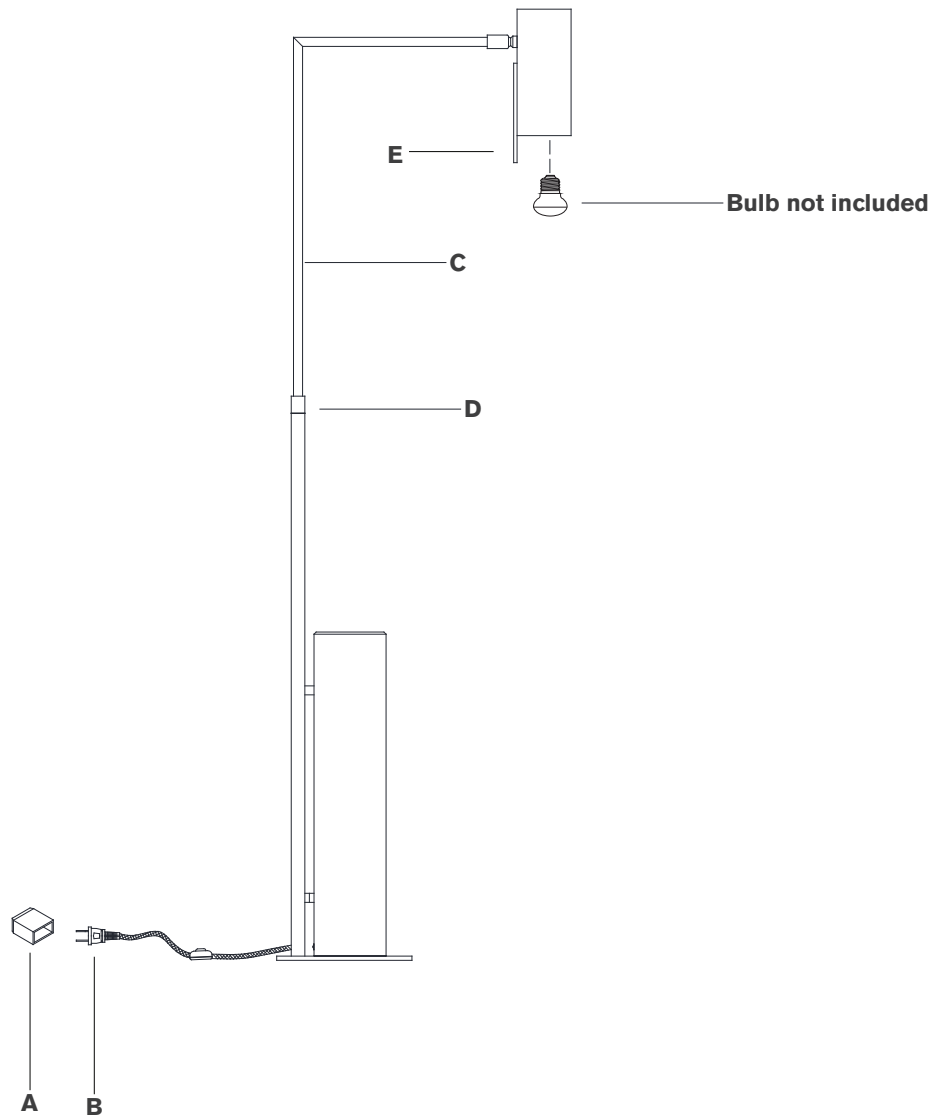


## ASSEMBLY INSTRUCTIONS



## Alma Pharmacy Lamp

Item # KW 1611

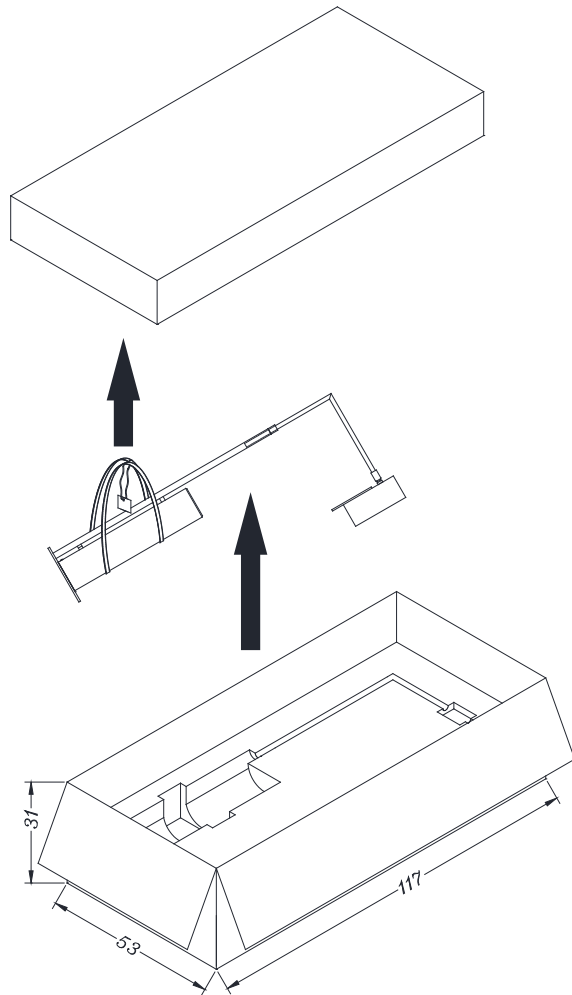
### NOTICE:

This light fixture should be installed in accordance with all applicable, local installation codes, and by a person familiar with the construction and operation of it, as well as the hazards involved. Inspect item and contents carefully. If any damage or defect is found, do not install. Retain all packaging material until installation is complete and approved.

1. Carefully remove all parts from the box following unpacking instruction. Place on a clean, soft surface.
2. Install light bulb into the socket.
3. To adjust fixture height, loosen ring **(D)** and adjust rod **(C)** to desired height, then tighten ring **(D)**.
4. Swing handle **(E)** to adjust shade to desired position.
5. Remove protective cover **(A)** from plug **(B)**.
6. Plug into electrical outlet and test fixture.

**Care Instructions:** Clean only with a soft dry cloth or feather duster. Do not use abrasive or chemical agents.

## UNPACKING NOTICE



## Alma Pharmacy Lamp

Item # KW 1611

### NOTICE:

Please follow instructions below to avoid damages caused by improper removal.

1. Open box and remove top layer of packaging.
2. Carefully lift body by fabric handles while supporting other end of body until clear of packaging. Place upright on a clean, soft surface.