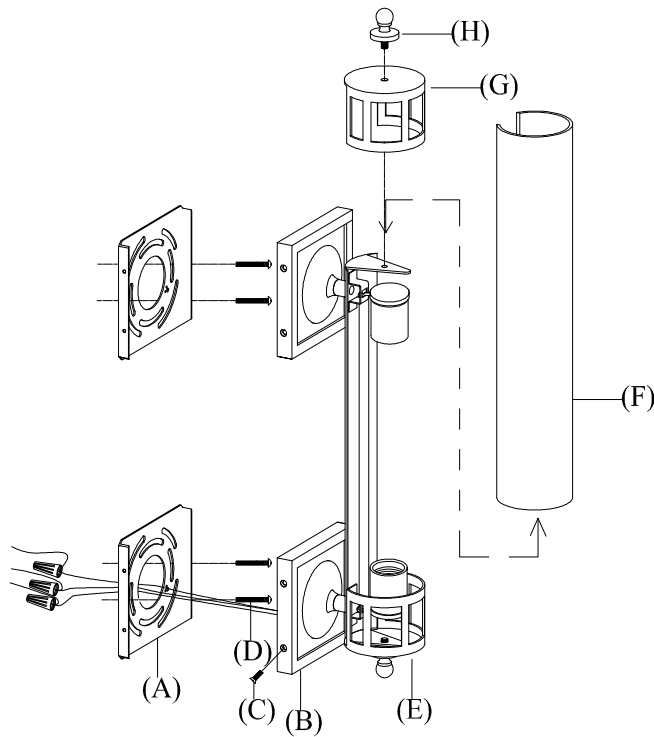


WARNING * SWITCH OFF THE MAIN ELECTRICAL SUPPLY FROM THE MAIN FUSE BOX/CIRCUIT BREAKER BEFORE INSTALLATION.****INSPECT ITEM CAREFULLY BEFORE ATTEMPTING TO INSTALL. IF THERE IS ANY DAMAGE OR OBVIOUS DEFECT, DO NOT INSTALL.****ITEM MAY NOT BE RETURNED ONCE IT HAS BEEN INSTALLED.**

1. Hold the fixture in position and with a pencil lightly mark the desired location for base (B).
2. Remove part (G) & (H) from light fixture by unscrewing part (H) in counter-clockwise direction.
3. Remove back plate (A) from base of lighting fixture (B) by removing base screws (C) in counter-clockwise direction.
4. Affix back plate (A) to wall outlet box with back plate screws (D) provided.
5. Attach ground (green) wire to ground wire from wall outlet box (usually green or copper in color), fasten together with a plastic wire connector. Tightly wrap the wire connector with electrical tape so the end of the connector is sealed. IT IS IMPERATIVE THAT THE OUTLET BOX IN YOUR HOME BE PROPERLY GROUNDED.
6. Connect neutral (white) fixture wires coming from fixture base to neutral (usually white) outlet wire. Fasten both wires together with a plastic wire connector and tightly wrap the wire connector with electrical tape.
7. Repeat the procedure with the hot (black) wires. Always make sure that no wire strands are left outside the connectors. DO NOT REVERSE THE HOT AND NEUTRAL CONNECTIONS OR SAFETY WILL BE COMPROMISED.
8. Attach fixture base (B) to back plate (A) and tighten with base screws (C).
9. Insert light bulbs into the sockets.
10. Insert one end of glass shade (F) into glass holder (E). Secure the other side by replacing and tightening part (G) & (H).